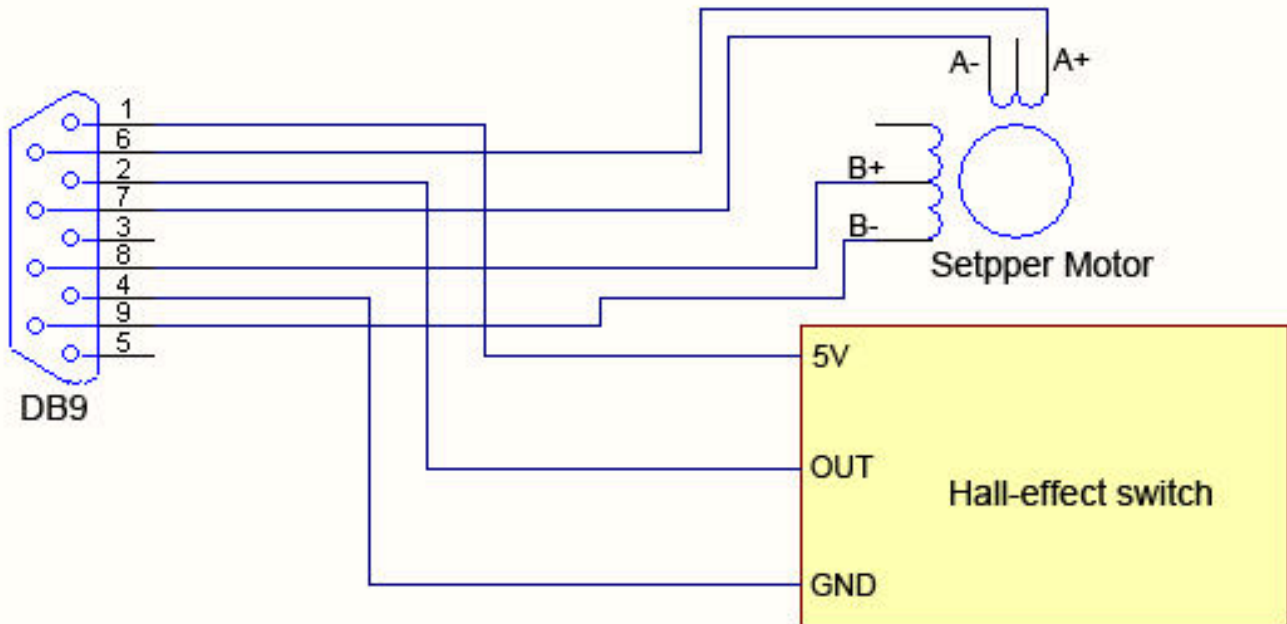


Pin Layout of Motorized Rotation Stage with Hall-Effect Switch



Input voltage of Hall Effect Switch: 5V

Working current of Hall Effect Switch: 20mA

Hall Effect Switch is active low.

If you don't need the zero position, please cut off the wire of pin 2.