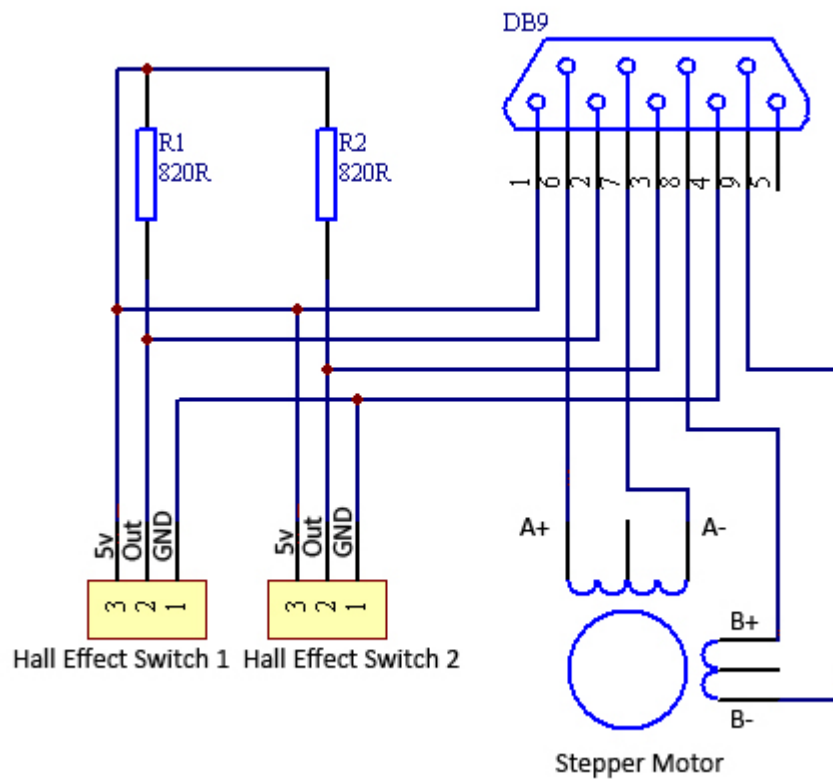


## Pin Layout of Motorized Integrated XY Stage



Hall Effect Switch 1 is at the opposite end of the stepper motor. It's the home (zero) position.  
Hall Effect Switch 2 is at the end of the stepper motor.

Input voltage of Hall Effect Switch: 5V

Working current of Hall Effect Switch: 20mA