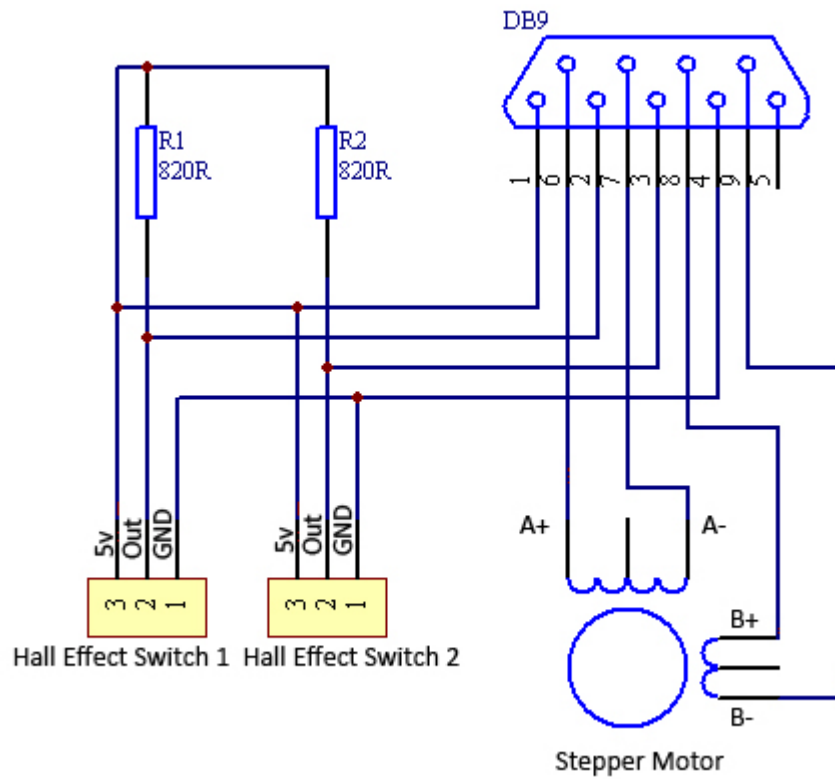


Pin Layout of Motorized Goniometer Stage



Hall Effect Switch 1 is at the opposite end of the stepper motor. It's the home (zero) position.
Hall Effect Switch 2 is at the end of the stepper motor.

Input voltage of hall effect switch: 5V
Working current of hall effect switch: 20mA